

Assembly Instructions

PowerWorks® Plastic Horizontal Light Block

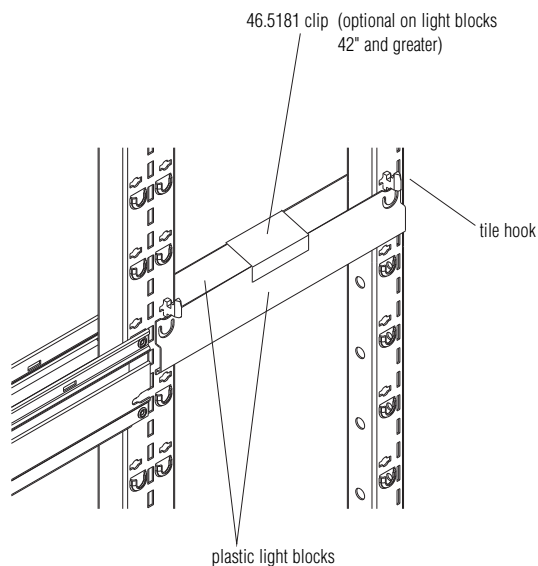


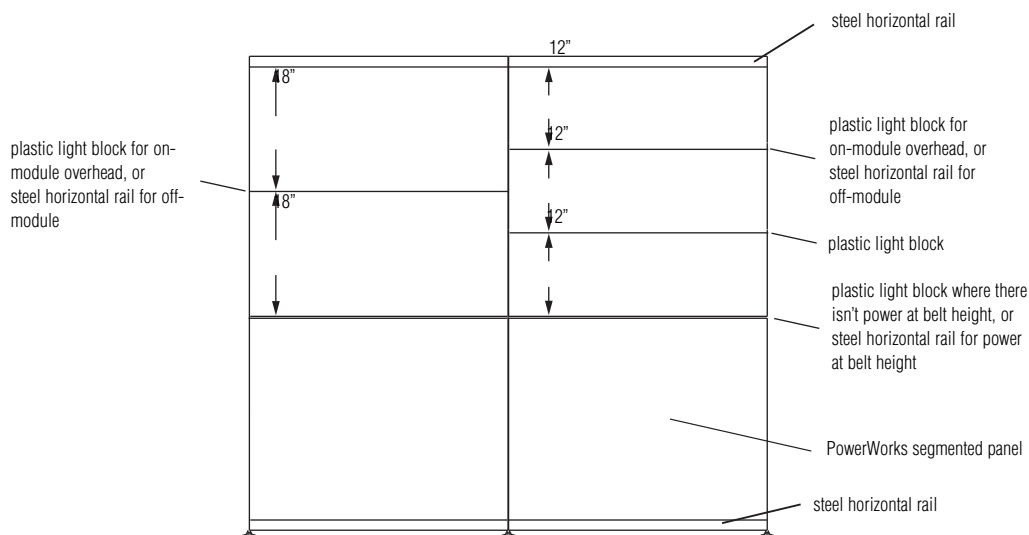
Figure 1

Plastic horizontal light blocks can be installed on PowerWorks segmented and half-segmented panels in place of steel horizontal rails where specified on installation drawings.

Note: Top and bottom horizontal rails must always remain steel.

1. Install plastic light blocks where specified on installation drawing. **Figure 1.**
2. Push tab on light block with finger, no tools required, in towards pocket of vertical post and seat both tabs into the pockets (in which the top rivet of the steel horizontal would normally be located).

Note: Steel horizontal rail must be used for ADA worksurface or stand-up height power and off-module overhead mounting.



CAUTION
 Assemble units as described herein only. To do otherwise may result in instability. All screws, nuts and bolts must be tightened securely and must be checked periodically after assembly. Failure to assemble properly, or to secure parts may result in assembly failure and injury.